

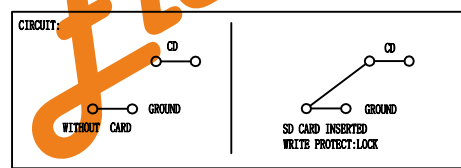
Specification

MATERIAL:
 Insulator: High Temperature Thermoplastic, UL 94V-0.
 Contact: Copper Alloy

PLATING:
 Contact: Plated 50u'' Ni Overall
 Plated Au Selective Contact Area
 Plated 100u'' Sn Over Ni On Solder Area
 Shell: Plated 50u'' Ni Overall
 Plated 1u''Au Selective Contact Area

Electrical:
 Current Rating :0.5mA AC/DC max.
 Voltage Rating :125V AC/DC
 Ambient Temperature Range :-20° C~+60° C
 Storage Temperature Range :-40° C~+70° C
 Ambient Humidity Range :95% R.H. Max.
 Contact Resistance:100m Ω max.
 Insulation Resistance:1000M min./500VDC
 Mating Cycles:10,000 Insertions

AsA Electronic Co.
 WWW.AsA-Elec.com
 Tel : (+98) 21 66 73 56 82 Mob : (+98) 912 03 161 02

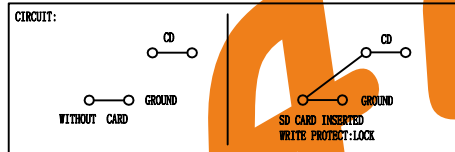
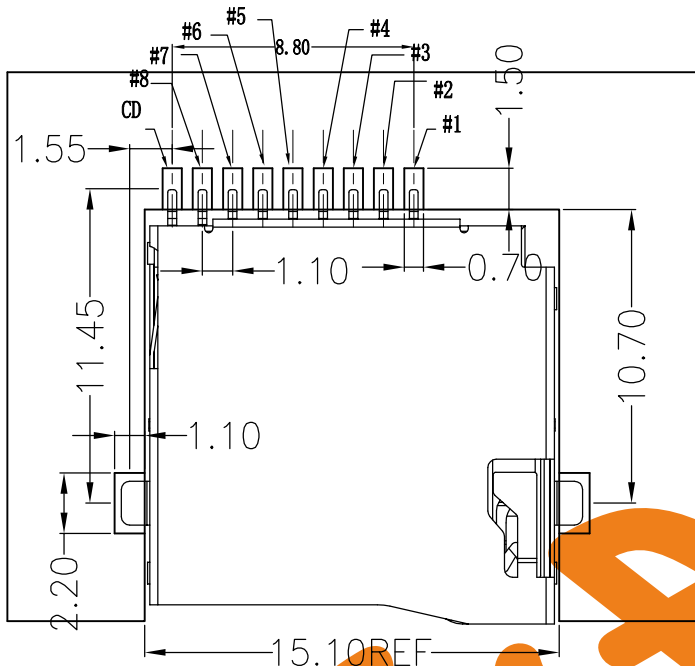


DIMENSIONS INIT: mm UNLESS OTHERWISE SPECIFIABLE DIMENSION TOLERANCE X.X: ± 0.15 X.XX: ± 0.10 X.XXX: ± 0.05 ANGULAR: ± 1°	PRODUCT NAME : T-FLASH PUSH/PUSH	DRAWING: COCO	DATE: 2008/04/10	
	PRODUCT NO. : 0101BAAX09A	CHECK: JANY	DATE: 2009/04/11	
	DRAWING NO. : NT-0016	APPROVED: JEFF	DATE: 2009/04/11	
		SCALE: 1:1	DWG ID: C D	REV. : A

REVISION NO.	ECR NO.	DESCRIPTION	MARK	DATE
1				
2				

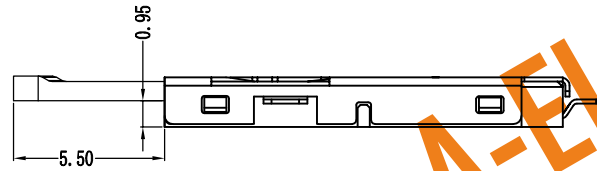
RECOMMEND PCB LAYOUT:

(Unit:mm .X ± 0.15 .XX ± 0.05 .XXX ± 0.02)

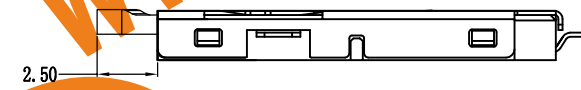


PIN NO.	PIN ASSIGNMENT	
1#	DAT2	信号
2#	CD/DAT3	信号
3#	CMD	数据输入
4#	VDD	电压/电源
5#	CLK	时钟
6#	VSS	接地
7#	DAT0	信号
8#	DAT1	信号
CD	CD	侦测端

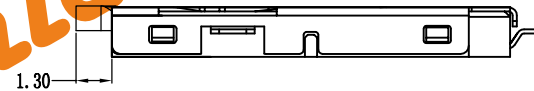
T-FLASH Card Insert Drawing:



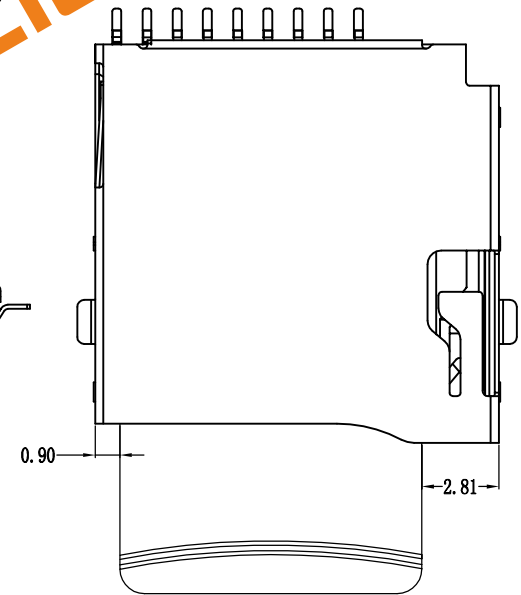
Micro SD Card -Un Lock



Micro SD Card -Lock



Micro SD Card -Push

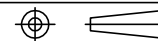


AsA Electronic Co.

Tel : (+98) 21 66 73 56 82 Mob : (+98) 912 03 161 02

Shen zhen Shi Xin Nan Tian Industrial Co., Ltd

DIMENSIONS UNIT: mm UNLESS OTHERWISE SPECIFIABLE DIMENSION TOLERANCE X.X: ± 0.15 X.XX: ± 0.10 X.XXX: ± 0.05 ANGULAR: ± 1°	PRODUCT NAME :	T-FLASH 卡座PUSH/PUSH沉板式	DRAWING:	COCO	DATE:	2008/04/10	
	PRODUCT NO. :	0101BAAAX09A	CHECK:	JANY	DATE:	2009/04/11	
	DRAWING NO. :	NT-0016	APPROVED:	JEFF	DATE:	2009/04/11	
	SCALE:	1:1	DWG ID:	C D	REV.:	A	PAGE:



REVISION NO.	ECR NO.	DESCRIPTION	MARK	DATE
1				
2				